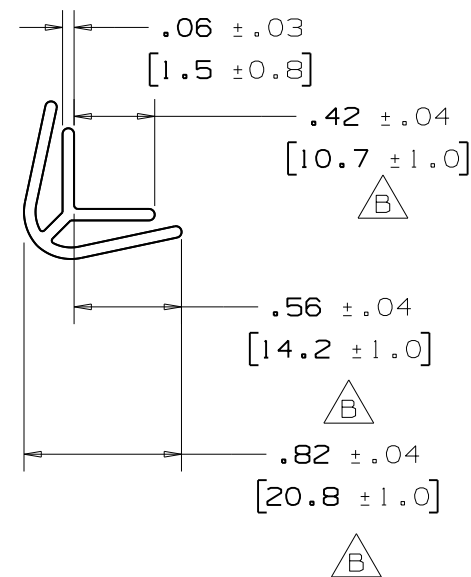


THIS COPY IS PROVIDED ON A RESTRICTED BASIS AND IS NOT TO BE USED IN ANY WAY DETRIMENTAL TO THE INTERESTS OF PANDUIT CORP.

NOTE:



1. SEE CURRENT CATALOG FOR PART NUMBER SUFFIX DESIGNATION FOR COLOR AND PACKAGE SIZE.
2. DIMENSIONS ARE IN INCHES (MILLIMETERS).



PART NAME	PANDUIT PART NUMBER	HEIGHT IN (mm)	WEIGHT lb/(g) PER pcs
CORNER STRIP	CS1**6	72.00 (1828.7)	0.728 / (330.2)
PART NAME	PANDUIT PART NUMBER	HEIGHT IN (mm)	WEIGHT lb/(g) 100 pcs
CORNER STRIP PIECE	CSP1LG-Q	.47 (11.9)	.49 / (222)
	CSP1.5LG-Q	1.04 (26.4)	.60 / (272)
	CSP2LG-Q	1.23 (31.2)	.80 / (362)
	CSP3LG-Q	2.27 (57.7)	1.60 / (725)
	CSP4LG-Q	3.25 (82.6)	2.40 / (1087)



CAD FILENAME/LAYERS D34047BA_DC_CSP/03A

PANDUIT CORP. TINLEY PARK, ILLINOIS

CORNER STRIP (CS1**6 & CSP*LG-Q) CUSTOMER DRAWING

REV	DATE	BY	CHK	DESCRIPTION	ECN	R	CUST	SUP
4	11-9-09	JCST	MRJS	G. CHANGED "LENGTH" TO "HEIGHT" F. CHANGED TITLE BLOCK - REMOVED "6FT&PC'S"	34047-01	HIW	HIW	
3	4-12-06	JCST	JKG	E. REV'D LENGTHS AND WEIGHTS.	34047-01	JKG	JKG	
2	9-7-01	JCST	JKG	D. CHANGED NOTES C. ADDED CS1**6 - CHANGED TITLE BLOCK	34047-01	JKG	JKG	
1	8-18-94	DW	KRK1	B. ADDED TOLERANCES. A. REV'D LENGTHS AND WEIGHTS.	34047-01	CEF	CEF	
R	10-3-86	LDB	WJB	RELEASED TO PRODUCTION	34047-01	R		

UNLESS OTHERWISE SPECIFIED, DIMENSIONAL TOLERANCES ARE:		UNLESS OTHERWISE SPECIFIED, ALL DIMENSIONS ARE GIVEN IN INCHES, THIRD ANGLE PROJECTION.
(.X) ±	(.XXX) ±	
(.XX) ±.060 (1.5)	ANGLES ±	
DRAWN BY L BENTZ	MAT'L: POLYVINYL CHLORIDE	SCALE FULL
DATE 10-3-86		DRAWING NO. 34047-01
CHK'D WJB		DWG SIZE A